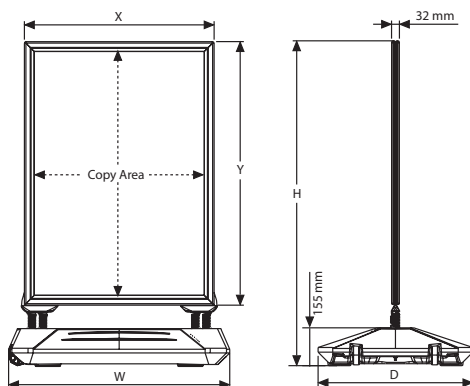


Kundenstopper WindPro

Der mobile Kundenstopper WindPro mit 100 % wasserfestem Klapprahmen und beweglicher Lagerung auf Stahlfedern. Der extra entwickelte Kunststoff-Fuss hat integrierte Laufrollen. Aus diesem Grund ist dieser Gehwegaufsteller ideal geeignet für windstarke Standflächen.



Patent No: OHIM DM/084 128



| WATER BASE | | | | | | | WEIGHT | PACKING SIZE |
|------------|------------|--------------|---------|---------|--------|--------|--------------|--------------------|
| SILVER | BLACK | SIZE | FOR | H | W | D | WITH PACKING | *W X H X D |
| UTWM001000 | UTWM001010 | 720 X 580 mm | 20"X30" | 1085 mm | 720 mm | 580 mm | 7,060 kg | 605 X 750 X 178 mm |
| | | | B2 | 1020 mm | 720 mm | 580 mm | | |
| | | | A1 | 1165 mm | 720 mm | 580 mm | | |
| UTWM002000 | UTWM002010 | 900 X 630 mm | 30"X40" | 1340 mm | 900 mm | 630 mm | 8,560 kg | 655 X 930 X 178 mm |
| | | | B1 | 1320 mm | 900 mm | 630 mm | | |
| | | | B0 | 1510 mm | 900 mm | 630 mm | | |
| | | | A0 | 1510 mm | 900 mm | 630 mm | | |

| FRAME : Silver anodised aluminium | | | | | WEIGHT | PACKING SIZE |
|-----------------------------------|------------|----------------|---------------|---------------|--------------|--------------------|
| SILVER | BLACK | EXTERNAL (x-y) | POSTER | COPY | WITH PACKING | *W X H X D |
| USWP000NA1 | USWP000BA1 | 666 X 913 mm | 594 X 841 mm | 586 X 833 mm | 7,800 kg | 715 X 1180 X 47 mm |
| USWP000NA0 | USWP000BA0 | 913 X 1261 mm | 841 X 1189 mm | 833 X 1181 mm | 11,400 kg | 970 X 1600 X 47 mm |
| USWP000NB2 | USWP000BB2 | 572 X 772 mm | 500 X 700 mm | 492 X 692 mm | 7,200 kg | 820 X 1340 X 47 mm |
| USWP000NB1 | USWP000BB1 | 772 X 1072 mm | 700 X 1000 mm | 692 X 992 mm | 10,500 kg | 610 X 1040 X 47 mm |
| USWP000N23 | USWP000B23 | 580 X 834 mm | 508 X 762 mm | 500 X 754 mm | 7,500 kg | 620 X 1130 X 47 mm |
| USWP000N34 | USWP000B34 | 834 X 1088 mm | 762 X 1016 mm | 754 X 1008 mm | 11,360 kg | 880 X 1380 X 47 mm |



*W:Width H: Height D: Depth