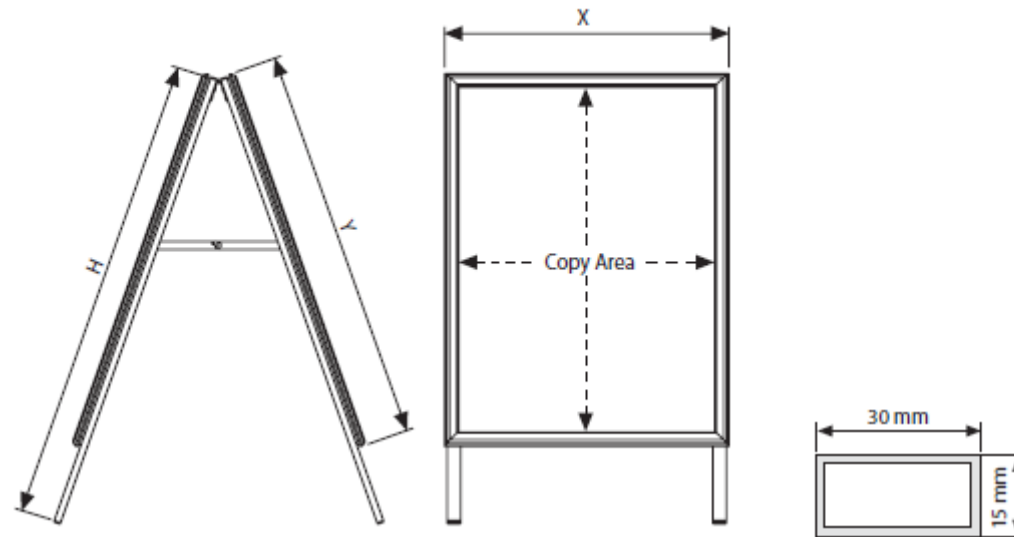


# Kundenstopper Classic Indoor



# Kundenstopper Classic Indoor



ECO INDOOR A BOARD: PS Backing + Mill Finish Legs PROFILE : 25 mm						WEIGHT	PACKING SIZE
MITRED ARTICLE	ROUND ARTICLE	POSTER	X	Y	H	WITH PACKING	*W X H X D
UAB255HNA1	UAB250HNA1	594 X 841 mm	624 mm	871 mm	1050 mm	7,250 kg	720 X 1180 X 85 mm
UAB255HNB2	UAB250HNB2	500 X 700 mm	530 mm	730 mm	950 mm	5,850 kg	630 X 1100 X 85 mm
UAB255HNB1	UAB250HNB1	700 X 1000 mm	730 mm	1030 mm	1200 mm	9,400 kg	800 X 1390 X 85 mm

