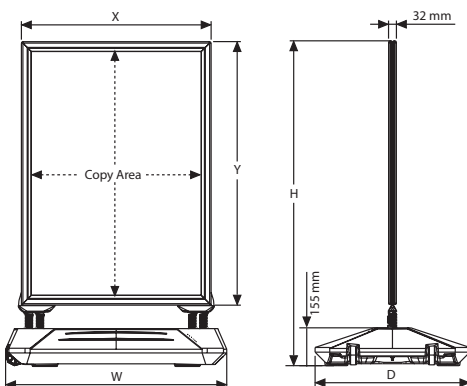


The sturdy A Board WindPro has 100% waterproof snapframes. Thanks to resilient steel spring mounting as well as the space saving plastic base with integral wheels, this double-sided advertising unit has been designed for the outdoor advertising.



WATER BASE							WEIGHT	PACKING SIZE
SILVER	BLACK	SIZE	FOR	H	W	D	WITH PACKING	*W X H X D
UTWM001000	UTWM001010	720 X 580 mm	B2	1085 mm	720 mm	580 mm	7,060 kg	605 X 750 X 178 mm
			A1	1165 mm	720 mm	580 mm		
			A0	1340 mm	900 mm	630 mm		
UTWM002000	UTWM002010	900 X 630 mm	B1	1320 mm	900 mm	630 mm	8,560 kg	655 X 930 X 178 mm
			B2	1020 mm	720 mm	580 mm		
			A0	1510 mm	900 mm	630 mm		

FRAME : Silver anodised aluminium					WEIGHT	PACKING SIZE
SILVER	BLACK	EXTERNAL (x-y)	POSTER	COPY	WITH PACKING	*W X H X D
USWP000NA1	USWP000BA1	666 X 913 mm	594 X 841 mm	586 X 833 mm	7,800 kg	715 X 1180 X 47 mm
USWP000NA0	USWP000BA0	913 X 1261 mm	841 X 1189 mm	833 X 1181 mm	11,400 kg	970 X 1600 X 47 mm
USWP000NB2	USWP000BB2	572 X 772 mm	500 X 700 mm	492 X 692 mm	7,200 kg	820 X 1340 X 47 mm
USWP000NB1	USWP000BB1	772 X 1072 mm	700 X 1000 mm	692 X 992 mm	10,500 kg	610 X 1040 X 47 mm
USWP000N23	USWP000B23	580 X 834 mm	508 X 762 mm	500 X 754 mm	7,500 kg	620 X 1130 X 47 mm
USWP000N34	USWP000B34	834 X 1088 mm	762 X 1016 mm	754 X 1008 mm	11,360 kg	880 X 1380 X 47 mm