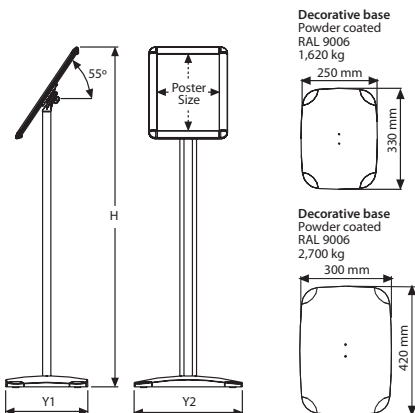
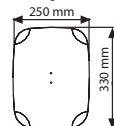


# Decorative Menuboard

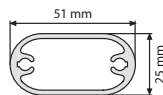
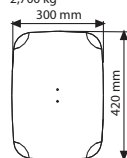
The Decorative Menuboard has decorative base and is available in the format DIN A4 as well as DIN A3. One can use this menuboard in the portrait or landscape position. The total height is 1.000 mm.



Decorative base  
Powder coated  
RAL 9006  
1,620 kg



Decorative base  
Powder coated  
RAL 9006  
2,700 kg



MATERIAL : Silver anodised aluminium PROFILE : 25 mm 45° - 25 mm Round									WEIGHT	PACKING SIZE
MITRED ARTICLE	ROUND ARTICLE	EXTERNAL (x-y)	POSTER	COPY	Y1	Y2	HEIGHT	DESCRIPTION	WITH PACKING	*W X H X D
UDMB1N05A4	UDMB1N00A4	240 X 327 mm	210 X 297 mm	192 X 279 mm	300 mm	250 mm	1000 mm	A4 portrait	3,400 kg	290 X 980 X 65 mm
					300 mm	250 mm	964 mm	A4 landscape		
UDMB1N05A3	UDMB1N00A3	327 X 450 mm	297 X 420 mm	279 X 402 mm	420 mm	300 mm	1200 mm	A3 portrait	5,850 kg	380 X 1150 X 65 mm
					420 mm	300 mm	1150 mm	A3 landscape		

3 YEAR WARRANTY



\*W:Width H: Height D: Depth