

Decorative Brochure Stand Plus



The Decorative Brochure Stand Plus has a stable stand and one brochure holder for the DIN A4 portrait or landscape format, which is made of clear acrylic glass for DIN A4 information.

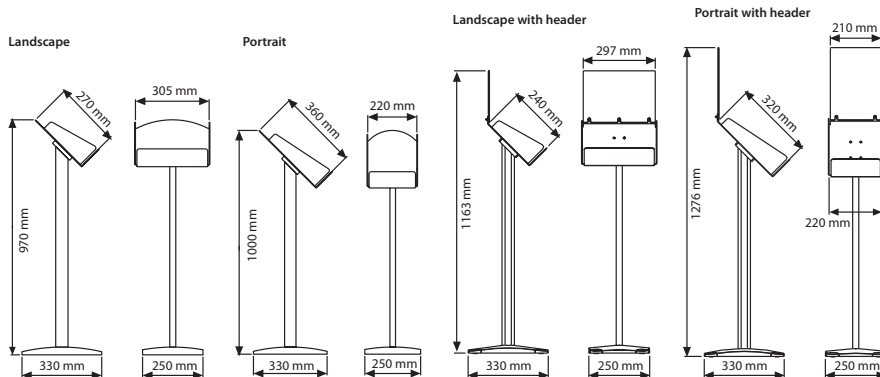


A4 landscape with logo

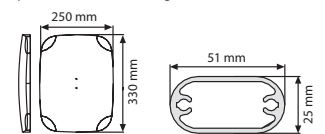
A4 landscape

A4 portrait with logo

A4 portrait



Decorative base powdercoated 9006 1,62 kg



MATERIAL : Silver anodised aluminium & acrylic		WEIGHT	PACKING SIZE
ARTICLE	DESCRIPTION	WITH PACKING	*W X H X D
UDBS20Y0A4	A4 landscape with logo	3,980 kg	280 X 880 X 125 mm
UDBS20D0A4	A4 portrait with logo	3,980 kg	280 X 880 X 125 mm
UDBS10Y0A4	A4 landscape	3,450 kg	280 X 880 X 125 mm
UDBS10D0A4	A4 portrait	3,450 kg	280 X 880 X 125 mm

*W:Width H: Height D: Depth

