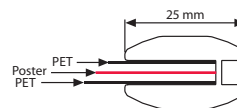
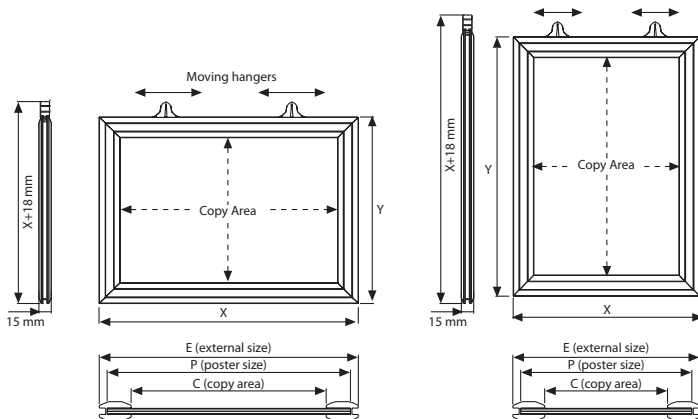
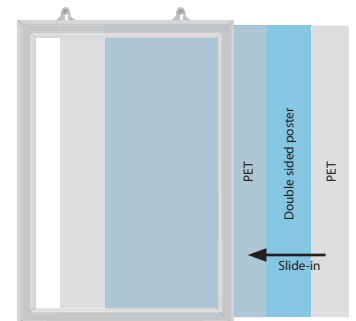


# Counter Slide-in Frame

The Counter Slide-In Frame is ideal for the poster advertising on counters, fuel pumps or shelves. The snapframe is weatherproof thanks to its plastic wick on the open side.



MATERIAL : Silver anodised aluminium					WEIGHT	PACKING SIZE
PORTRAIT	LANDSCAPE	EXTERNAL(x-y)	POSTER	COPY	WITH PACKING	*W X H X D
UCS255N1A4	UCS255N2A4	224 X 311 mm	210 X 297 mm	174 X 261 mm	0,495 kg	250 X 350 X 21 mm
UCS255N1A3	UCS255N2A3	311 X 434 mm	297 X 420 mm	261 X 384 mm	0,708 kg	350 X 460 X 21 mm
UCS255N1A2	UCS255N2A2	434 X 608 mm	420 X 594 mm	384 X 558 mm	1,180 kg	460 X 660 X 21 mm
UCS255N1A1	UCS255N2A1	608 X 855 mm	594 X 841 mm	558 X 805 mm	1,870 kg	650 X 900 X 21 mm
UCS255N1B2	UCS255N2B2	514 X 714 mm	500 X 700 mm	464 X 664 mm	1,500 kg	550 X 750 X 21 mm
UCS255N1Z3	UCS255N2Z3	522 X 776 mm	508 X 762 mm	472 X 726 mm	1,595 kg	560 X 810 X 21 mm



\*W:Width H: Height D: Depth