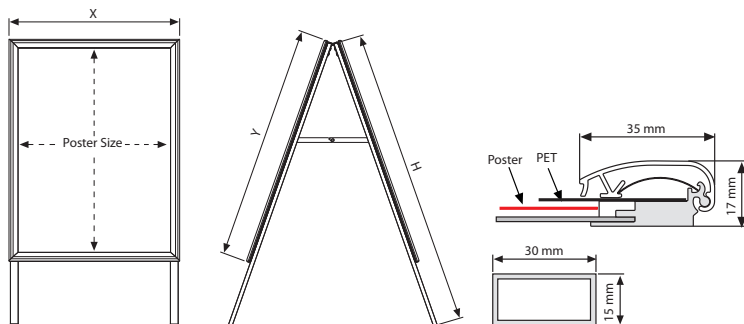


A Board For Outdoor Waterproof



The A Board for Outdoor Waterproof is the perfect outdoor application! The double-sided A Board consists of two 32 mm snapframes. The stand is made of a stable aluminium-profile. In addition, the frame will be delivered with galvanized steel-backing as well as a waterproof PET poster-pockets. Water escape holes for drainage are in bottom-profile. The Outdoor Waterproof is available in round or mitred corner.



MATERIAL : Silver anodised aluminium PROFILE : 35 mm profile					WEIGHT	PACKING SIZE
ARTICLE	POSTER	X	Y	H	WITH PACKING	*W X H X D
UAB3550NA2	420 X 594 mm	482 mm	656 mm	950 mm	6,200 kg	510 X 1080 X 85 mm
UAB3550NA1	594 X 841 mm	656 mm	903 mm	1150 mm	10,350 kg	720 X 1180 X 85 mm
UAB3550NB2	500 X 700 mm	562 mm	762 mm	950 mm	8,350 kg	630 X 1100 X 85 mm
UAB3550NB1	700 X 1000 mm	762 mm	1062 mm	1250 mm	13,350 kg	800 X 1390 X 85 mm



*W:Width H: Height D: Depth