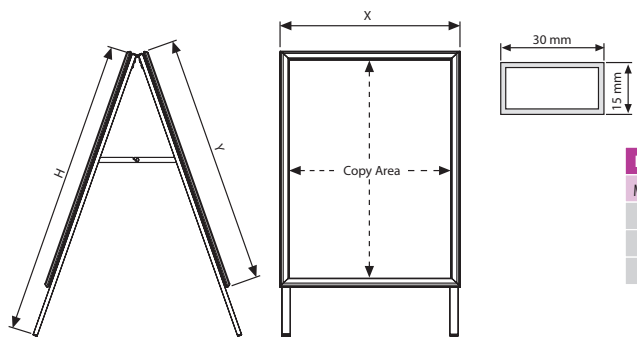


# A Board Classic

The double-sided A-Board Classic with its 32 mm snapframes and stable aluminium legs has a galvanized steel back-wall, anti-glare PET cover-sheet as well as drainage holes. The A-Board Classic is available with a rondo or mitred corner solution. You can have a safe corner solution upon request.



ECO OUTDOOR A BOARD: Galvanized Backing + Mill Finish Legs PROFILE : 32 mm							WEIGHT	PACKING SIZE
MITRED ARTICLE	ROUND ARTICLE	SAFE CORNER	POSTER	X	Y	H	WITH PACKING	*W X H X D
UAB325HNA1	UAB320HNA1	UAB321HNA1	594 X 841 mm	637 mm	884 mm	1050 mm	10,000 kg	720 X 1180 X 85 mm
UAB325HNB2	UAB320HNB2	UAB321HNB2	500 X 700 mm	543 mm	743 mm	950 mm	7,900 kg	630 X 1080 X 85 mm
UAB325HNB1	UAB320HNB1	UAB321HNB1	700 X 1000 mm	743 mm	1043 mm	1200 mm	12,740 kg	800 X 1390 X 85 mm



\* W:Width H: Height D: Depth